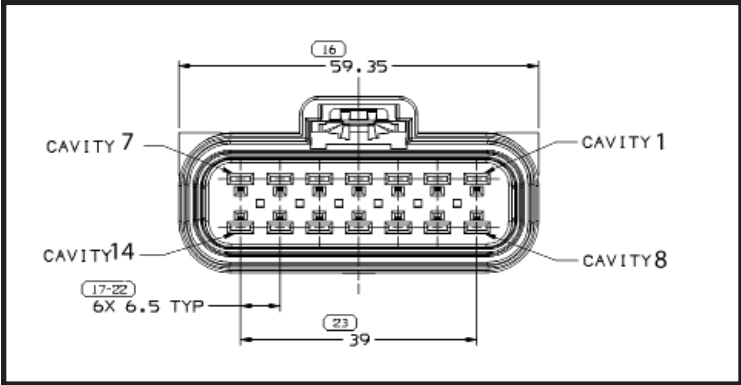
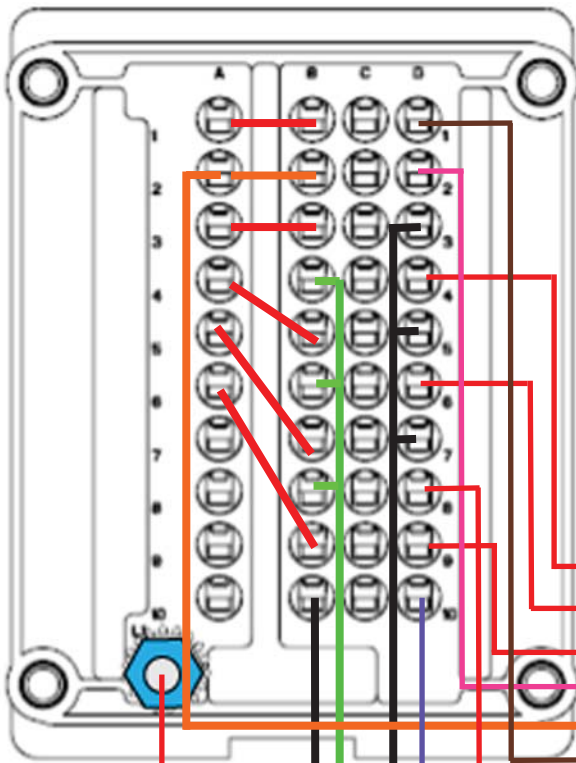


- Fuses**
1. ECU
  2. Main power
  3. Fuel pump 1
  4. Fuel pump 2
  5. Fuel pump 3
  6. Starter
  7. Blank
  8. Blank
  9. Spare
  10. Spare

- Relays**
1. ECU Power
  2. Fuel pump 1
  3. Fuel pump 2
  4. Fuel pump 3
  5. Starter

**Flying Leads**  
 Grey- Tachometer  
 Pink/Black- Ignition switch  
 Red/Black- Signal to starter  
 There are 3 red wires located near the ECM which provide 12v power for fuel pumps or an intercooler. There is also an 8 pin connector which can provide CAN data for capable gauges or diagnostics. Diagnostic tools can be acquired through [www.rinda.com](http://www.rinda.com)



1. Black-Ground
  2. Green/White- Fuel pump ground signal
  3. Red -Power to starter relay
  4. Blank
  5. Red - Power to fuel pump #1
  6. Red - Power to fuel pump #2
  7. Blank
  8. Pink - Switched 12v ignition relay
  9. Orange- Full time battery power
  10. Brown - Powertrain relay
  11. Blank
  12. Purple- Power to starter sloenoid
  13. Power to fuel pump #3
  14. Blank
- 12 V+ to battery

For technical assistance please call 760-966-2663